

Nº5909

HEADPHONE OWNER'S MANUAL

mark
levinson®

TABLE OF CONTENTS

| | |
|------------------------------|----|
| Overview | 3 |
| What's in the Box | 3 |
| Product Overview | 4 |
| Adjustability, Fit & Comfort | 5 |
| Functions | 6 |
| Charge | 8 |
| Connections | 9 |
| Pairing | 9 |
| Passive | 9 |
| USB Digital Direct | 10 |
| APP | 11 |
| Maintenance / Care | 12 |
| Changing / Removing Earpads | 12 |
| Accessories | 13 |
| Troubleshooting | 14 |
| Ear Health | 15 |
| Specifications | 16 |
| Warranty | 17 |

OVERVIEW

Congratulations on your selection of the Mark Levinson® No 5909 Premium Wireless ANC Headphone. For over 50 years, discerning individuals have chosen Mark Levinson products for their luxurious quality and revealing sound. Robust materials, lavish finishes, bold geometry, and outstanding performance are celebrated attributes of the Mark Levinson brand. The No 5909 headphone is made with the finest materials, technology, and craftsmanship in the world and will deliver outstanding performance for many years to come.

For optimum performance, please read this guide and follow the unpacking and setup instructions carefully.

WHAT'S IN THE BOX

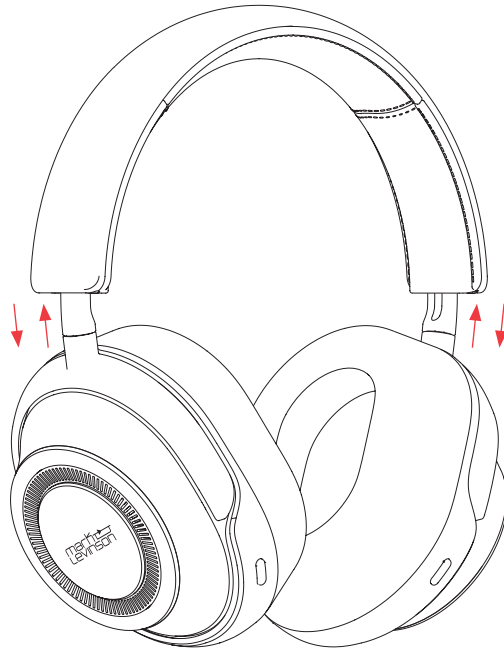
- Mark Levinson No 5909 Premium Wireless ANC Headphones
- Travel Storage Case
- 1.25m USB-C to USB-C Charging Cable
- 1.25m USB-C to 3.5mm Proprietary Audio Cable
- 4m USB-C to 3.5mm Proprietary Audio Cable
- 3.5mm to 6.3mm Adaptor
- USB-C to USB-A Adaptor
- Airplane Adaptor
- Microfiber Polishing Cloth
- Quick Start Guide



PRODUCT OVERVIEW

1. Premium Leather Headband with Memory Foam Interior
2. Replaceable Memory Foam and Memory Foam Ear Pads
3. Forged and Machined Aluminum Components throughout
4. USB-C Input for Passive Audio Listening & Charging
5. Adjustment Arm
6. 8 Microphones (4 talk microphones and 4 ANC microphones)

ADJUSTABILITY, FIT & COMFORT

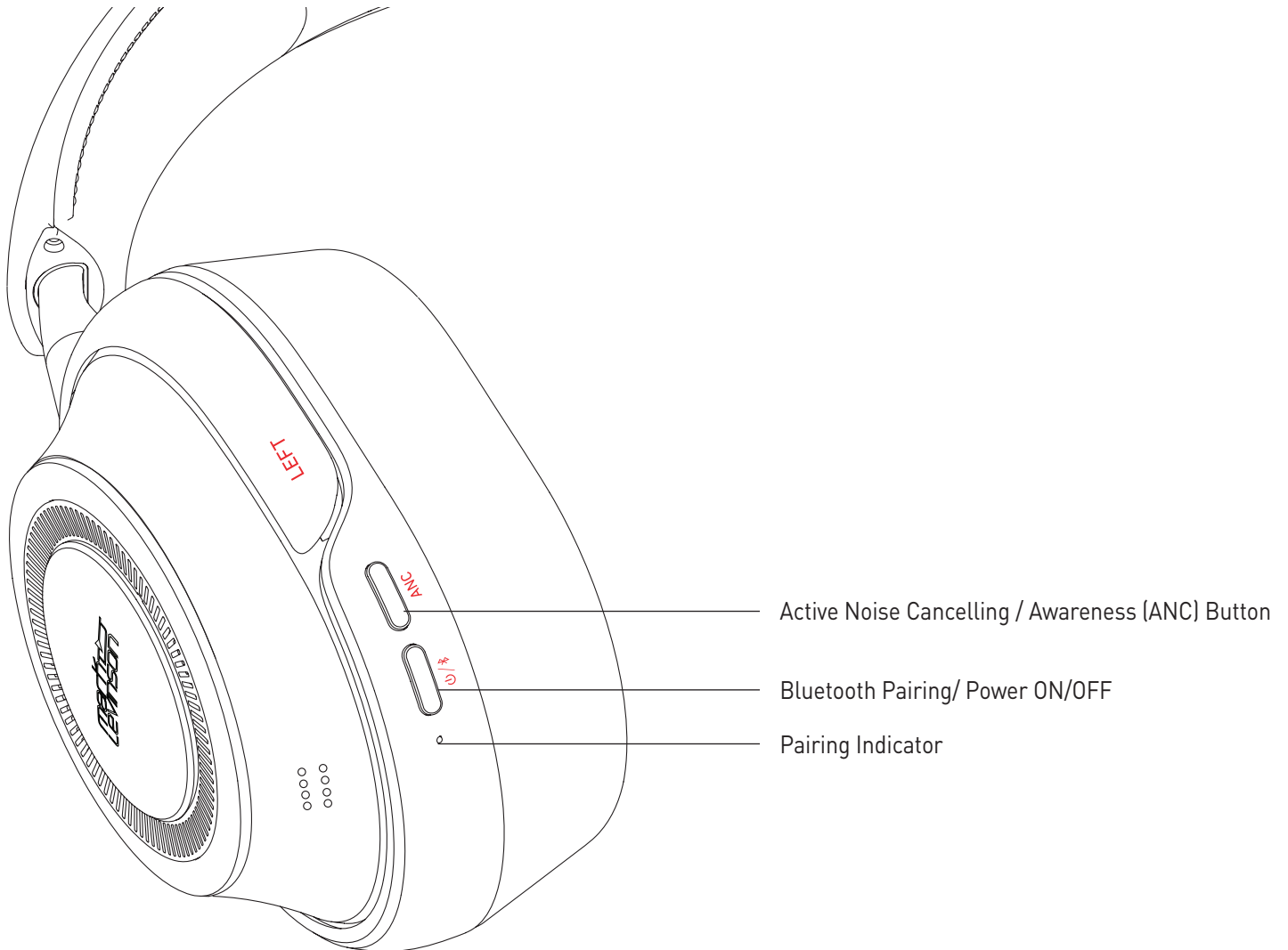


Adjust to find optimal fit



Rotates for comfort around neck

FUNCTIONS



Active Noise Cancelling / Awareness (ANC) Button


x1: ANC ON
(Default selectable via app; HIGH, ADAPTIVE, LOW modes)

x2: Awareness ON
(Default selectable via app; Voice Pass or Ambient modes)

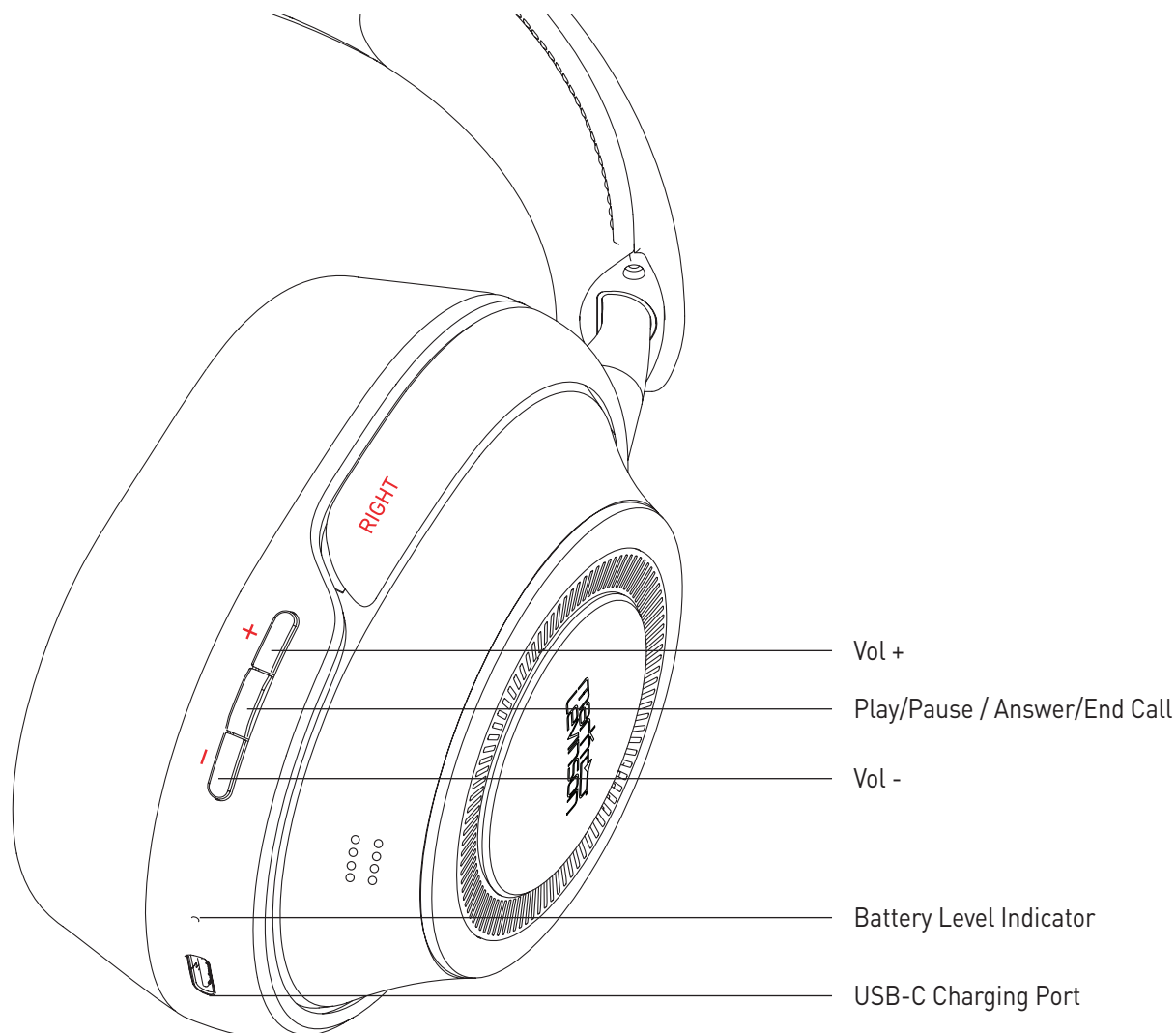
x3: Passive / ANC OFF

Clicking the button will cycle through the different modes.

Pairing Indicator

 White light will pulse when headphones are in pairing mode

 A solid white light indicates you are connected



Play/Pause / Answer/End Call

x2: Skip Forward

x3: Skip Back

HOLD: Voice Assistant

Battery Level Indicator

● High Battery

● Med Battery

● Low Battery

USB-C Charging Port

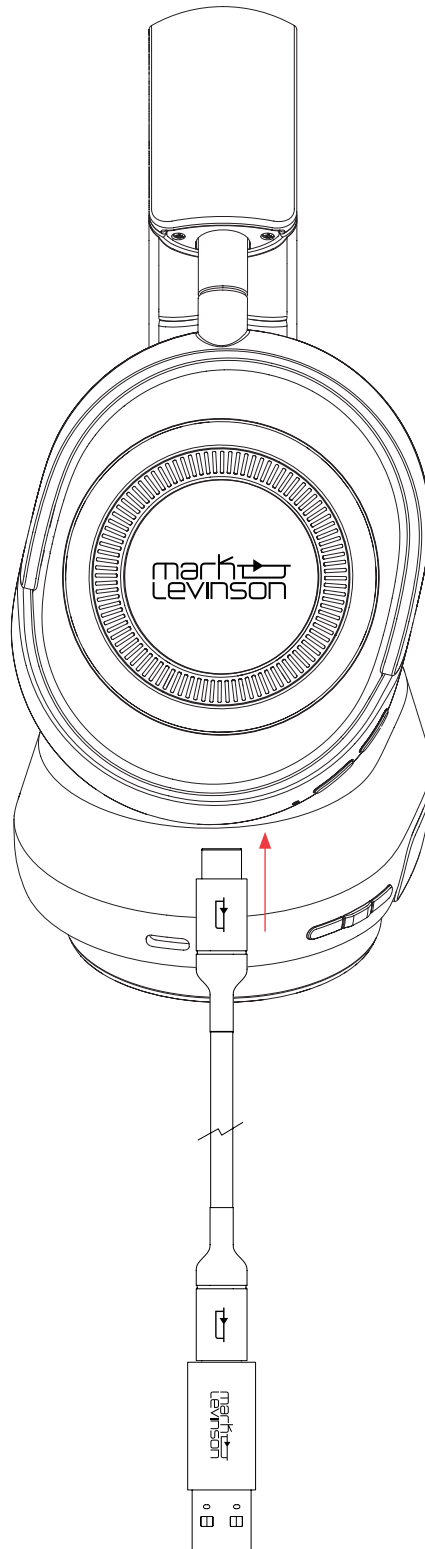
● Fully Charged

● Charging

CHARGE

Press and hold (>1 second) ON/OFF button to power ON. Left earcup LED will show solid white light while unit is on - Battery level will be displayed for a few seconds at startup on Right earcup - Green high charge - Orange medium charge - Red low charge

To conserve battery power, headphones will power OFF after 30 minutes of inactivity (default) - Default can be changed via app - 30min, 1HR, 3HRS, NEVER



To charge, plug in the USB-C Connector and connect to a powered USB-A port

NOTE: The headphones power OFF when charging. Headphones cannot charge and play at the same time.

A solid orange light on the left earcup indicates charging and a solid green light indicates a full charge when the USB cable is connected.

- Fully Charged
- Charging

CONNECTIONS

PAIRING

The first time you power ON your headphones they will enter pairing mode. Simply connect through the Bluetooth menu on your device and select N°5909.

To manually activate pairing mode, power headphones OFF, then hold ON/OFF button for 4 or more seconds.

Pairing to 2 or More Devices

1. Enter pairing mode and connect to device 1.
2. Enter pairing mode again and device 1 will disconnect.
3. Connect to device 2 and turn headphone off.
4. Turn headphone ON and headphone will automatically connect to device 1 and 2 simultaneously.
5. Pause one device and play from the other to swap headphone connection.

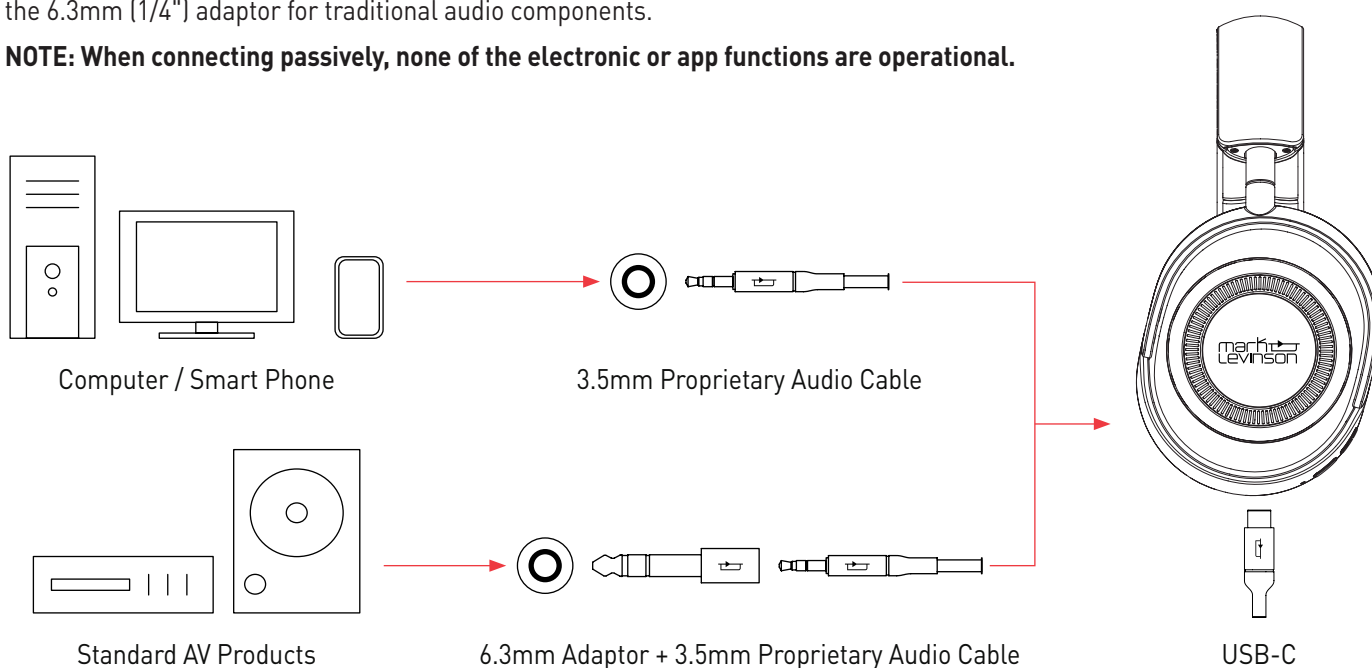
NOTE: Maximum number of devices that can be connected at any given time - 2 source devices.

PASSIVE

The N° 5909 can be connected passively to any product that has an analog 3.5mm or 6.3mm (1/4") audio connection using the included 1.25m or 4m to USB-C proprietary audio cables included.

1. Choose the appropriate length (1.25m or 4m) proprietary audio cable depending on distance from the source component.
2. Plug the USB-C connection end into the USB-C input on the Right ear cup.
3. Plug the 3.5mm stereo mini jack on the other end of the cable to your source component's headphone input. If needed, use the 6.3mm (1/4") adaptor for traditional audio components.

NOTE: When connecting passively, none of the electronic or app functions are operational.



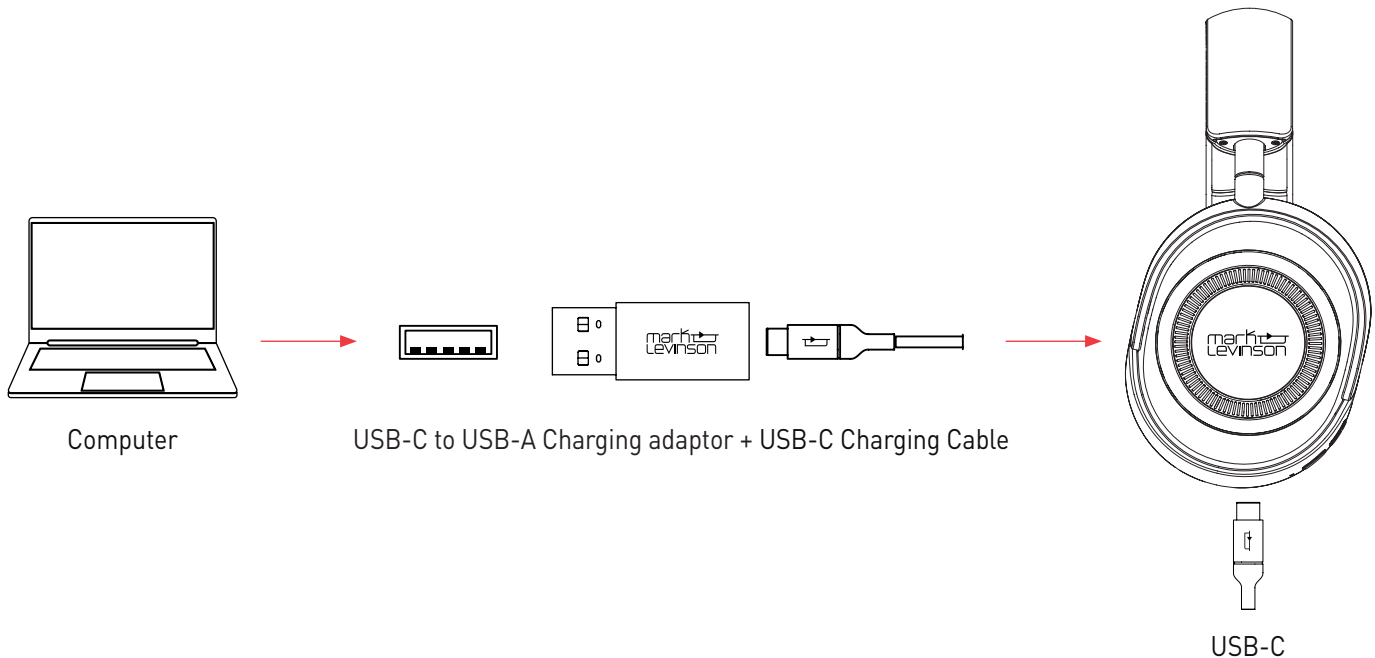
CONNECTIONS

USB DIGITAL DIRECT

The N° 5909 can be connected and used to listen to content via USB Digital Direct using the standard USB-C to USB-C charging cable included.

1. Plug one end of the USB-C to USB-C cable directly into one of your computer's USB connections (use the included USB-C to USB-A adaptor if needed).
2. Plug the other end of the USB-C cable into the USB-C input on the right ear cup of the headphone.
3. From your computer device, open the "sound settings" and locate and select the "No 5909" under the speaker label.
4. Adjust your volume via the slider on your computer.
5. Start your content - enjoy.

NOTE: ANC functions will continue to operate via the left ear cup ANC button AND the headphone will charge while in this connection method.



APP



The Mark Levinson Headphones app allows you to choose your listening preference and select Active Noise Cancellation and Awareness modes. Select Bass Contour settings, Set on-head detection and auto time-off parameters.



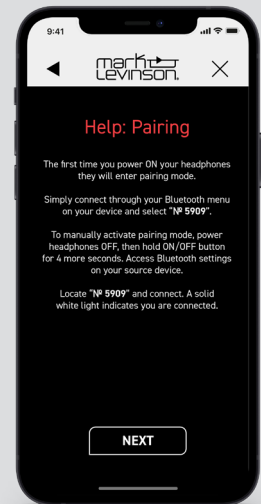
App Start-up



Landing Page



Settings



Support

MAINTENANCE / CARE

Clean ear pads and headphones with soft, slightly damp cloth. Do not soak, submerge or allow moisture to enter near the drivers or cable jacks. Ear pads and cables can be purchased if they are worn out at: www.marklevinson.com

Polishing cloth can be used to wipe down after use / remove finger prints, etc. . .

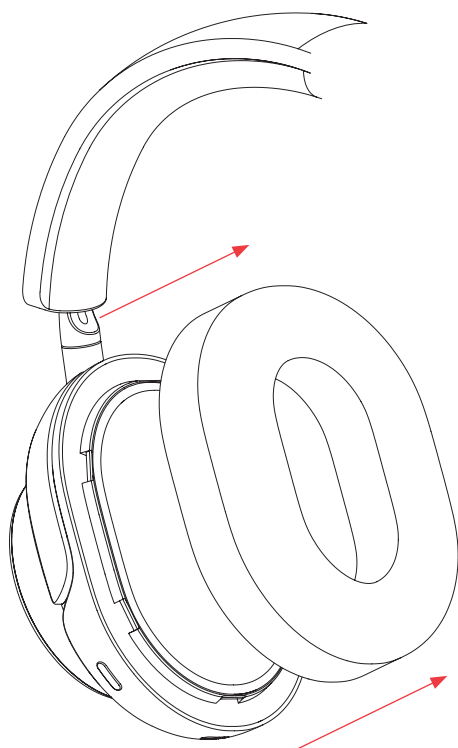
Do not drop, sit on, or allow the headphones to be exposed to water, moisture, or temperature extremes.

It is recommended that you return your headphones to their hard travel case when not in use. To avoid damage, do not store other items in the travel case along with your headphones.

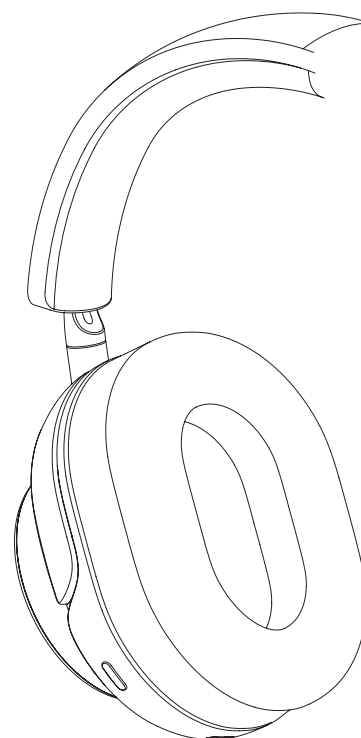
CAUTION: Incorrectly rotating or over rotating the earcups can damage the headphones.

Temperature Range Operate and store this product within the temperature range of -4°F to 113°F (-20°C to 45°C) only. Charge the battery where the temperature is between 41°F and 104°F (5°C and 40°C) only.

CHANGING / REMOVING EARPADS

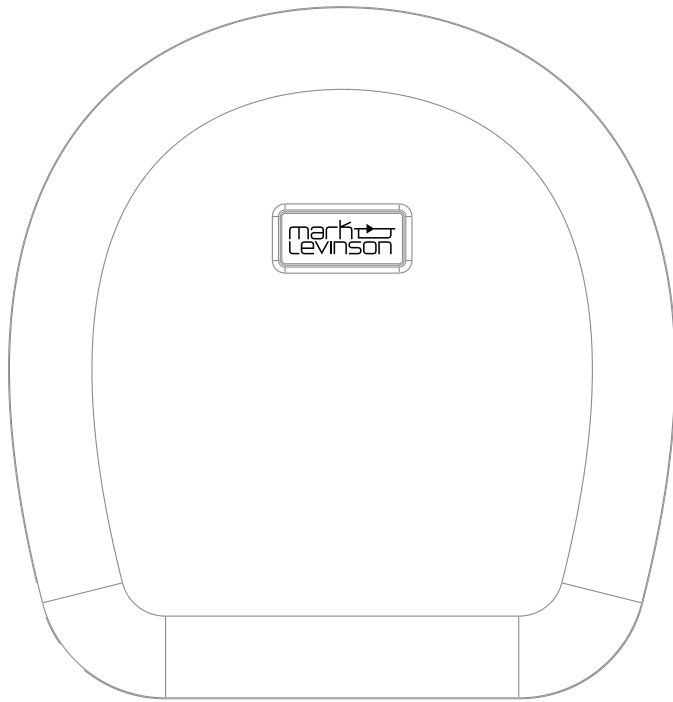


To remove ear pads: Gently pull the earpads from the inside of the earcup. The snaps will release.

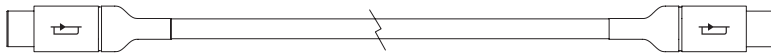


To re-attach ear pads: Gently push the earpad against the earcup, ensuring all the snaps are secured.

ACCESSORIES



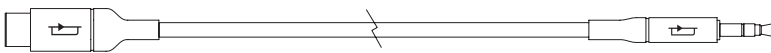
Travel Storage Case



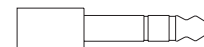
USB-C to USB-C Charging Cable



USB-C to USB-A Charging adaptor



USB-C to 3.5mm Proprietary Audio Cable
(Both 1.25mm and 4mm Audio Cables included)



3.5mm to 6.3mm (1/4" standard)
headphone adaptor



Airplane adaptor

TROUBLESHOOTING

TROUBLE PAIRING HEADPHONES AND DEVICE

THE HEADPHONES AND DEVICE DO NOT PAIR:

1. Make sure the headphones are not connected to the charger. Cycle power switch OFF and ON.
2. Turn the Bluetooth OFF, then on again on the source device.
3. Turn OFF the Bluetooth feature on any other device that is paired with the headphones.
4. Hold power button down >4 seconds to enter pairing mode.
5. Make sure "N°5909" is selected in the Bluetooth® device list

NO AUDIO OR POOR AUDIO QUALITY FROM A CONNECTED BLUETOOTH® DEVICE

Move the device closer to the headphones, physical objects between the headphone and the source may obstruct the signal.

Try another music application or try another track.

Try a different audio device.

FACTORY RESET

1. Power OFF the headphones.
2. Hold power button >4 seconds to enter pairing mode.
3. Simultaneously hold volume + button and power button until LED lights flash red/white.

EAR HEALTH

Our ability to hear is amazing. The Mark Levinson team wishes you to treat your ears like the precious tools they are so they will continue to provide you a lifetime of incredible sonic experiences.

In general, do not listen “too loud or for too long,” and be attentive to your own ears. Ringing, discomfort, or sensitivity to high frequencies and treble may be a signal from your ears that you are pushing them to their limits and causing irreparable damage.

As a general practice, find what seems to be your preferred listening level and then adjust the volume down another 10% or more. Surprisingly, your ears will attune to a slightly lower volume over time, and what seems quiet at first can be perfect for longer listening periods.

SPECIFICATIONS

GENERAL

| | |
|--------------------------------------|---|
| Type: | Premium High-Resolution Over-the-Ear Wireless Adaptive ANC Noise Cancelling Headphone |
| Driver Size: | 40mm Beryllium Driver |
| Frequency Response (Passive): | 10Hz - 40kHz |
| Frequency Response (Active): | 20Hz - 20kHz |
| Sensitivity: | 97dB SPL @1kHz/1mW |
| Maximum SPL: | 98dB |
| Maximum Input Power (Passive): | 100mW |
| Microphone Sensitivity: | -32dBV @ 1kHz/Pa |
| Impedance: | 32 ohm |
| Bluetooth Transmitted Power: | <8dbm |
| Bluetooth Transmitted Modulation: | GFSK, $\pi/4$ DQPSK / 8DPSK |
| Bluetooth Frequency: | 2.402Ghz - 2.480Ghz |
| Bluetooth Profile Version: | A2DP 1.3.1, AVRCP 1.6, HFP 1.7.1 |
| Bluetooth Version: | v5.1 |
| Battery Type: | Lithium-ion battery (750 mAh/3.7V) |
| Power Supply: | 5V / 1.0A |
| Charging Time: | 100 minutes |
| Music Playtime With BT On: | 34 hrs |
| Music Playtime With BT & ANC On: | 30 hrs |
| Music Playtime With Aux-In & ANC On: | 30 hrs |
| Dimensions (H x W x D): | 202.6mm (7.9") x 205.4mm (8.1") x 65.4mm (2.6") |
| Weight: | 340g (12 oz) |
| Warranty: | 2 Years Parts & Labor |

WARRANTY

Harman International Industries, Incorporated (“Harman”) warrants to you that your Mark Levinson product will be free from defects in workmanship and materials for a corresponding period set forth in the Mark Levinson Limited Warranty.

This Limited Warranty does not cover defects which are a result of: (1) damage caused by accident, disaster, misuse, abuse or other unreasonable use or neglect (including the lack of reasonable and necessary maintenance); (2) damage occurring during shipment (claims must be presented to the carrier); (3) damage caused by improper installation or adjustment; (4) damage to, or deterioration of, any accessory or decorative surface; (5) damage resulting from failure to follow instructions contained in your owner’s manual; or (6) damage resulting from the performance of repairs by someone other than an authorized Mark Levinson service center.

Furthermore, this Limited Warranty covers only actual defects within the Product itself, and does not cover the cost of installation or removal from a fixed installation, setup or adjustments, claims based on misrepresentation by the seller, performance variations resulting from installation-related circumstances such as program source quality or AC power or Product modifications, any Product on which the serial number has been effaced, modified or removed, or any Product sold on an “as-is” or final sale basis. This Limited Warranty is valid only for Products purchased from an authorized Mark Levinson dealer.

Complete Mark Levinson warranty details can be found at <https://www.marklevinson.com/about/purchase-policy.html>



HARMAN International Industries, Incorporated
8500 Balboa Boulevard
Northridge, CA 91329 USA

© 2020 HARMAN International Industries, Incorporated. All rights reserved.

Mark Levinson is a registered trademark of HARMAN International Industries, Incorporated.

Other company and product names may be trademarks of the respective companies with which they are associated.

"MQA" is a trade mark of MQA Limited © 2018.

This document should not be construed as a commitment on the part of HARMAN International Industries, Incorporated. The information it contains, as well as the features, specifications and appearance of the product, is subject to change without notice. HARMAN International Industries, Incorporated, assumes no responsibility for errors that may appear within this document

For customer service and product shipment information, refer to our Website: www.MarkLevinson.com
Part No. 070-00004 rev B.0 www.MarkLevinson.com